



1:1

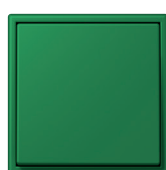
Flush-mounted range

Material

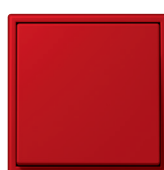
Duroplastic lacquered



32030



32050



32090



32121



32140



32142



4320A



4320D



4320F



4320J



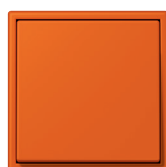
4320K



4320M



4320R



4320S



4320T

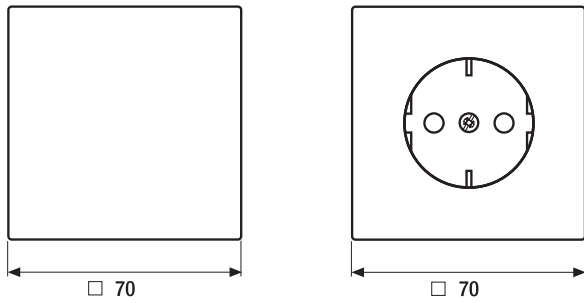
In addition to the 15 immediately available articles from the LS range all other colours from Les Couleurs® Le Corbusier are obtainable. As this involves individual made-to-order production, delivery time is between eight and twelve weeks.

L Laser labelling possible

P Colour printing possible

Colours (available on stock)

- P** 32030 bleu céruleen 31
- P** 32050 vert foncé
- P** 32090 rouge vermillon 31
- P** 32121 terre sienne brique
- L** **P** 32140 ombre naturelle 31
- P** 32142 ombre naturelle claire
- P** 4320A rouge vermillon 59
- P** 4320D terre sienne brûlée 59
- P** 4320F vert olive vif
- L** 4320J terre d'ombre brûlée 59
- P** 4320K bleu outremer 59
- P** 4320M le rubis
- L** 4320R ombre naturelle 59
- P** 4320S orange vif
- P** 4320T bleu outremer foncé



Frame size

1-gang	81 mm x 81 mm
2-gang	152 mm x 81 mm
3-gang	223 mm x 81 mm
4-gang	294 mm x 81 mm
5-gang	365 mm x 81 mm

Frames can be installed horizontally and vertically.

Corner radius of frames R 2

