

1:1

**L** Laser labelling possible

**P** Colour printing possible

**Colours rockers**

- P** ivory similar RAL 1013
- P** white similar RAL 9010
- P** light grey similar RAL 7035
- black similar RAL 9005

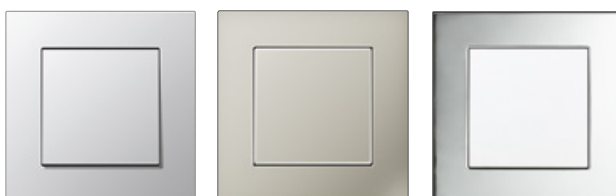
**Metal versions rockers**

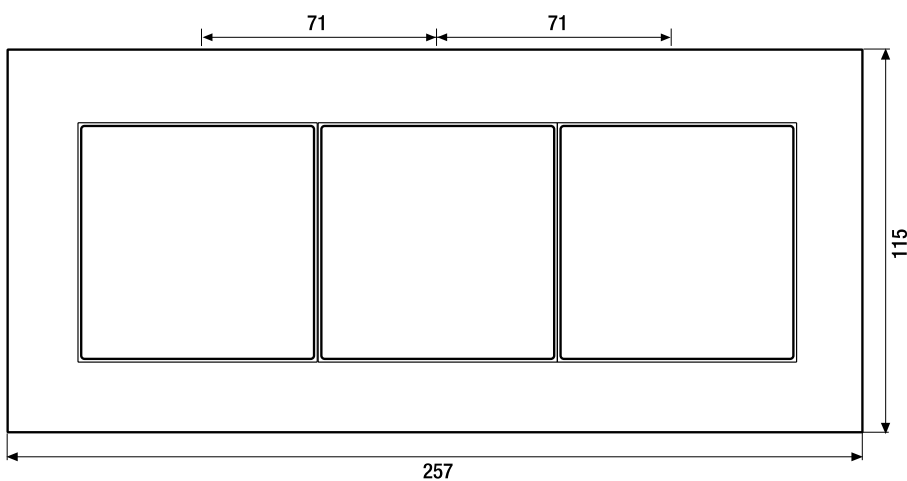
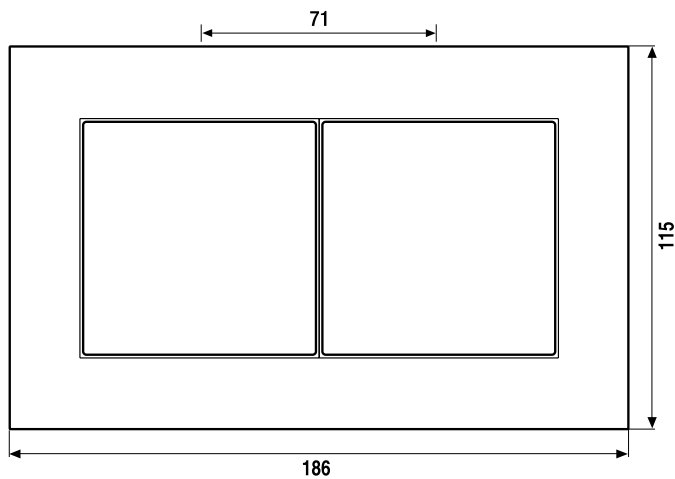
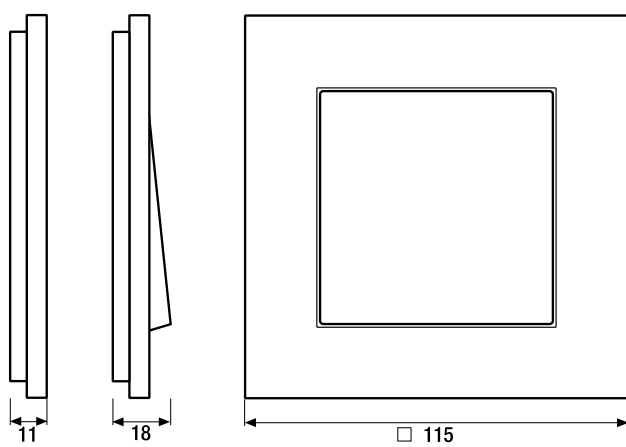
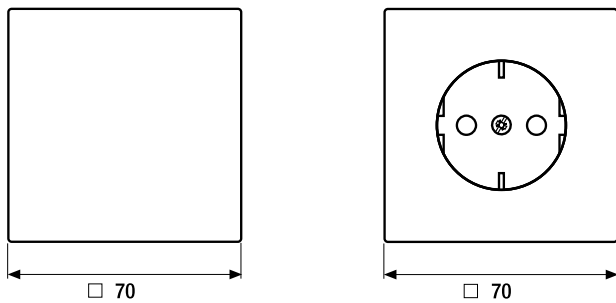
- P** **L** Aluminium
- L** Stainless Steel
- L** Anthrazit lacquered aluminium
- Dark lacquered
- Chrome
- P** Classic brass
- Antique brass

**Material frames**

Glass: safety glass.  
colours: black. white. soft white

- P** **L** Aluminium: AlMg Si 05.  
surface E1 EV1 anodised
- L** Stainless steel: 1.4301 X5 CrNi 18-10  
shot-blasted with glass beads
- Chrome-Aluminium: AlMg Si 05.  
surface high gloss chrome-planted





**Frame size**

1-gang	115 mm x 115 mm
2-gang	186 mm x 115 mm
3-gang	257 mm x 115 mm
4-gang	328 mm x 115 mm
5-gang	399 mm x 115 mm

Frames can be installed horizontally and vertically.

**Corner radius of frames,**  
chamfer 0.5 x 45°