



**Flush-mounted range**

**Material**

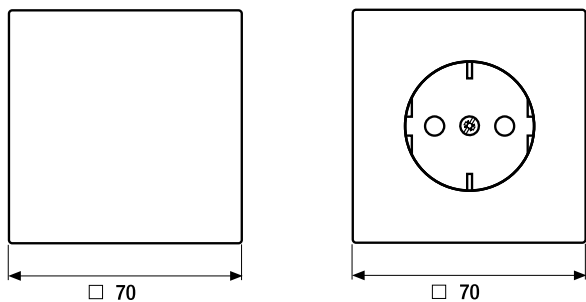
Stainless steel: 1.4303 X4 CrNi 18-12  
shot-blasted with glass beads

**Protection level**

Protection level IP 44 is ensured with  
sealing gasket ref.-no. 551 WU and  
„IP 44 frame“ of the respective design  
range.

📐 Laser labelling possible





**Frame size**

1-gang	81 mm x 81 mm
2-gang	152 mm x 81 mm
3-gang	223 mm x 81 mm
4-gang	294 mm x 81 mm
5-gang	365 mm x 81 mm

Frames can be installed horizontally and vertically.

**Corner radius of frames R 2**

